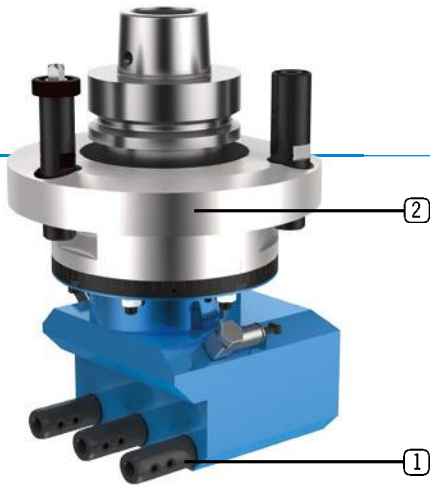


# MULTI-SPINDLE HEAD - CLASSIC LINE

## MULTI H3

### ► TECHNICAL DATA



- **Lubrication** Grease
- **Max. drive speed  $n_2$**  12,000 rpm
- **Transmission ratio ( $n_1 : n_2$ )** 1:4
- **Max. drive torque  $M_2$**  2 Nm
- **Weight** about 4 kg
- **Nesting applications** Design is suitable

### Standard design

1 Spindle distance

32

Output spindle



Whistle notch  
Ø6

2 Machine connection



HSK - F63



Video



### ► Multi-spindle head - live in the application

Scan QR code or go to:

[www.youtube.com/  
BENZWerkzeugsysteme](http://www.youtube.com/BENZWerkzeugsysteme)

### ► Specifications

Machining



Number of  
output spindles

3

Axis angle

90°

C-angle

360°

Lubrication



► ADDITIONAL OPTIONS: MODULAR DESIGN

①



► SPINDLE DISTANCE

20

32



Additional spindle distances/ numbers of spindles/ drilling patterns on request

► OUTPUT SPINDLE



Whistle notch  
Ø6



For further information see p. 36

②



► MACHINE CONNECTION



HSK - F63  
BIESSE



SK 30  
BIESSE



HSK - F63  
Busellato



HSK - F63  
Felder



HSK - F63  
HOMAG / WEEKE / WEINMANN



HSK - F63  
IMA



HSK - F63  
Masterwood



HSK - F63  
SCM



HSK - F63  
SCM



HSK - F63  
Weinig



For further information see p. 40