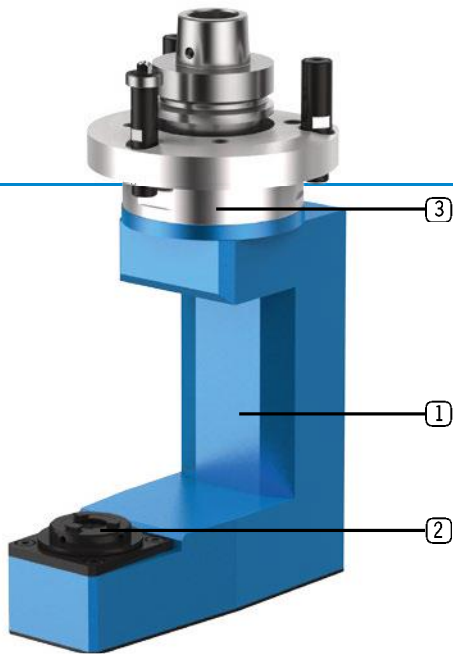


UNDERSURFACE UNIT - CLASSIC LINE

SUBIO

► TECHNICAL DATA



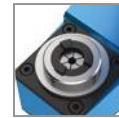
- **Lubrication** Grease
- **Max. drive speed n_2** 10,000 rpm
- **Transmission ratio ($n_1 : n_2$)** 1:1
- **Max. drive torque M_2** 8 Nm
- **Weight** about 7 kg

Standard design

1 Head size



2 Output spindle



Collet chuck
ER25A

3 Machine connection



HSK - F63

► Specifications

Machining



Number of
output spindles



Axis angle



C-angle



Lubrication



SUBIO

► ADDITIONAL OPTIONS: MODULAR DESIGN

①



► HEAD SIZE

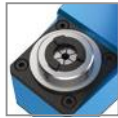
M

i Additional projections and lengths on request

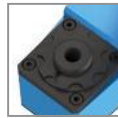
②



► OUTPUT SPINDLE



Collet chuck
ER25A



Weldon Ø12

i For further information see p. 36

③



► MACHINE CONNECTION



HSK - F63
BIESSE



SK 30
BIESSE



HSK - F63
Busellato



HSK - F63
Felder



HSK - F63
HOMAG / WEEKE / WEINMANN



HSK - F63
IMA



HSK - F63
Masterwood



HSK - F63
SCM



HSK - F63
SCM



HSK - F63
Weinig

i For further information see p. 40